

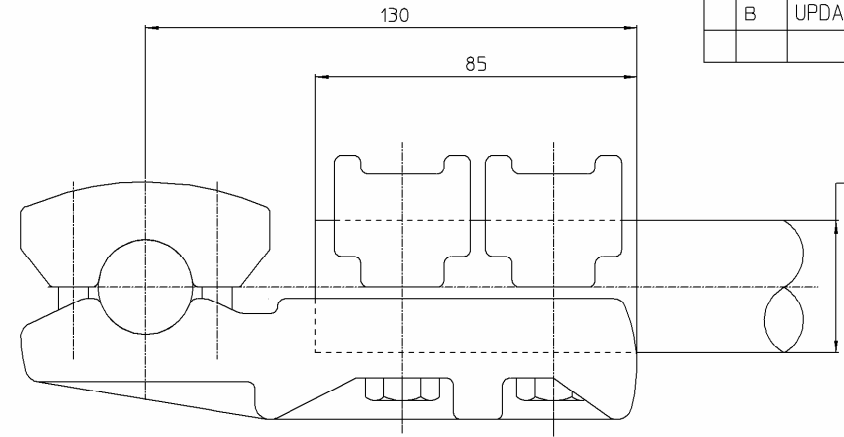
THIS DRAWING IS UNPUBLISHED
 DIFFUSION RESTREINTE

RELEASED FOR PUBLICATION
 LIBRE A LA DIFFUSION

2011

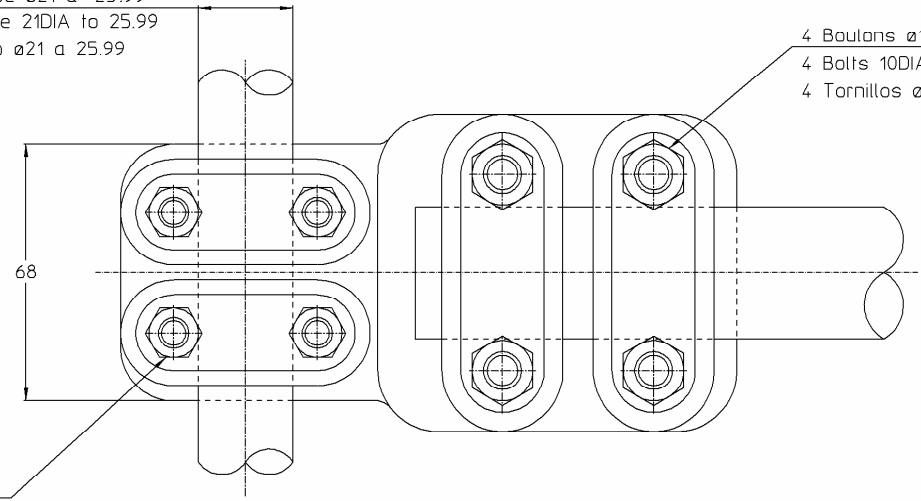
ALL RIGHTS RESERVED.
 TOUS DROITS RESERVES

REVISIONS					
P	LTR REV	DESCRIPTION MODIFICATIONS	DATE	DWN DESS	APVD APPR
A		FD653	15-Oct-91	LR	-
B		UPDATED DRAWING	19-Apr-13	PG	



Cable ou tube ø31 à 35.99
 Cable or tube 31DIA to 35.99
 Cable o tubo ø31 a 35.99


Cable ou tube ø21 à 25.99
 Cable or tube 21DIA to 25.99
 Cable o tubo ø21 a 25.99



4 Boulons ø10 Acier inox A2
 4 Bolts 10DIA Stainless steel A2
 4 Tornillos ø10 Acero inoxidable A2 } 37 Nm

20 Nm }
 4 Boulons ø8 Acier inox A2
 4 Bolts 8DIA Stainless steel A2
 4 Tornillos ø8 Acero inoxidable A2

ITEM: 4

THIS DRAWING IS A CONTROLLED DOCUMENT. <small>CE PLAN EST UN DOCUMENT CONTROLE PAR TYCO ELECTRONICS CORPORATION ET EST SUSCEPTIBLE D'ETRE REUSE POUR OBTENIR LA MEME PIECE. CONTACTER LE SERVICE TECHNIQUE DE TYCO ELECTRONICS SHEL SAS, 2120 GENEVY-CHAMBERY, FRANCE.</small>		DWN /DESSINE ROYER	10-Oct-91	 TE connectivity SIMEL PRODUCTS	
DIMENSIONS: mm		CHK/VERIFIE -	APVD/APPROUVE -		
TOLERANCES UNLESS OTHERWISE SPECIFIED PER TOLERANCES NON SPECIFIEES SELON : -		PRODUCT SPEC SPEC PRODUIT 02BFC0031	APPLICATION SPEC SPEC APPLICATION -	SIZE FORMAT A3	CAGE CODE 00779
MATERIAL MATIERE -	FINISH FINITION -	WEIGHT MASSE APPROX 1 Kg	DRAWING NO No PLAN 716190	RESTRICTED TO RESERVE A -	
CUSTOMER DRAWING /PLAN CLIENT				UNQUEMENT POUR REFERENCE	SCALE EHELLE 3/4
				SHEET FEUILLE 1	OF DE 1
				REV B	